

For
Demanding
Retail
Environments



Beauty, brawn and all of our best storage features make the 733 Fixed Mount Trays the solution for your most demanding customers.

PATENTED INNOVATION

Sculptured design flows between trays for great looking multi-row layouts.

Robust, two-tone back support is made from super tough Acetal resin. Just lift up and slide to adjust.

Shown in standard "Bronze with Black".

Flipworks® branding. Get credit for including the very best.

Bi-level design stores CDs & DVDs above and narrow cases below.

Solid, 1/4" satin nickel rods ensure smooth sliding back support.

The back support adjusts by lifting this side slightly. A spring feature grips the steel rod for the highest quality feel.

Installs securely with 4 screws.

Crowned surfaces make it easy to "Flip" through any collection to see the covers.

Openings provide positive adjustments for the back support and show off the shelf surface below.

Open front allows use of a glue block to support drawer front.



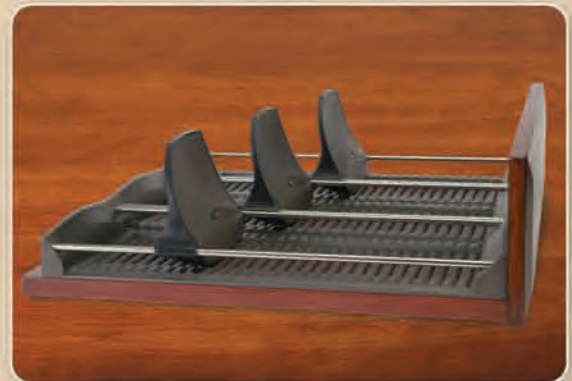
US Patent Number 6,332,546
Canadian Patent Number 2,331,971

For Demanding Retail Environments

- Maintains integrity and appearance even in retail locations that tend to deliver abuse.
- Provides "Flip" access to all popular forms of media stored vertically.
- Trays fully integrate with your pull-out wood shelves and slides, offering a solid weight and feel.



Integrates with your solid wood front



Functional and open format

INSTALLATION

Flipworks®

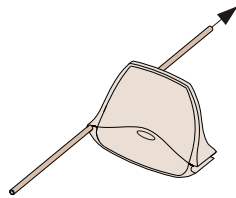
FIXED MOUNT TRAYS

733

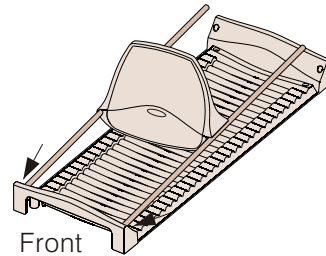


Assemble Tray

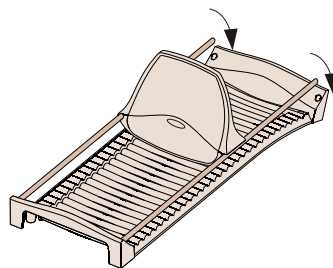
Insert rod.



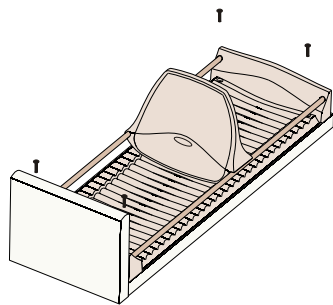
Slide rods into the front holes.



Flex the tray and install rods into rear holes.



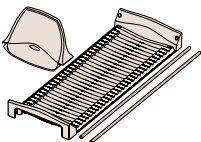

Install Screws



CAPACITY (per row)	
CD CD-ROM	27
CD-R/CD-RW SLIM	54
DVD	21
VHS Tape	12
Disney® VHS	11

US PATENT #6,332,546
CANADIAN PATENT #2,331,971

BULK ORDERING INFORMATION

Product	Part Number	Packaging	Quantity		Net Part Weight
			Gross Weight	Pallet	
	733	All parts in one carton	24 sets 31.7 lbs 14.4 kg	576 sets 791 lbs 359 kg	Set 1.26 lbs .571 kg
	110P	1,000 Bulk packed in bag	Available in USA and Canada only		

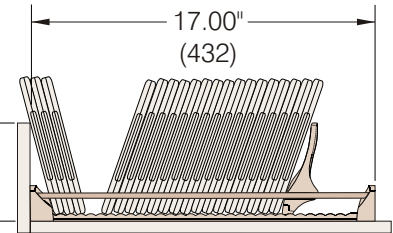
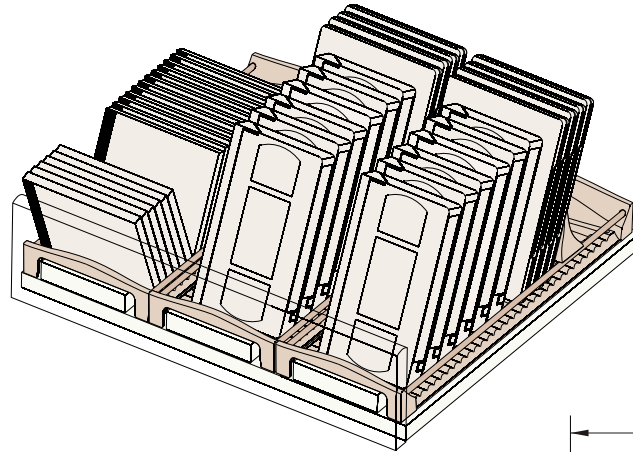
See most recent "Price List" for new stock colors and sizes.

International: (760) 496-0300 Fax (760) 496-0670 USA & Canada: (800) 786-7255 Fax (800) 786-3305
sales@spectrumconcepts.com www.spectrumconcepts.com

Spectrum®
CONCEPTS

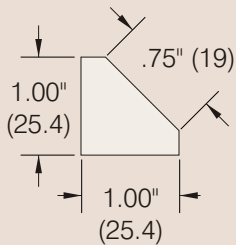
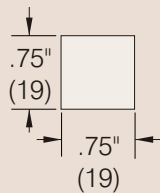
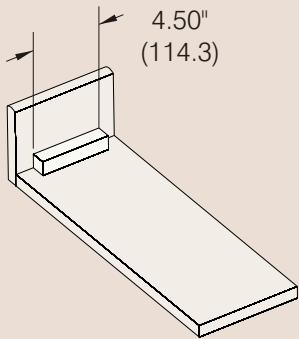
FIXED MOUNT TRAYS

733

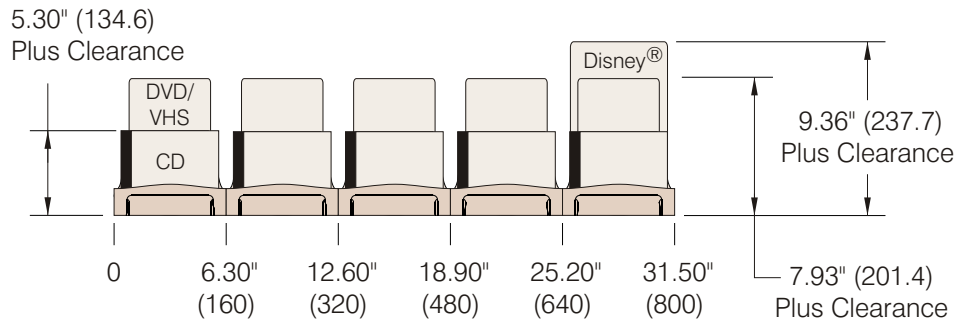


Minimum Front 3.75 (95.3)
Disney® VHS 4.75 (120.7)

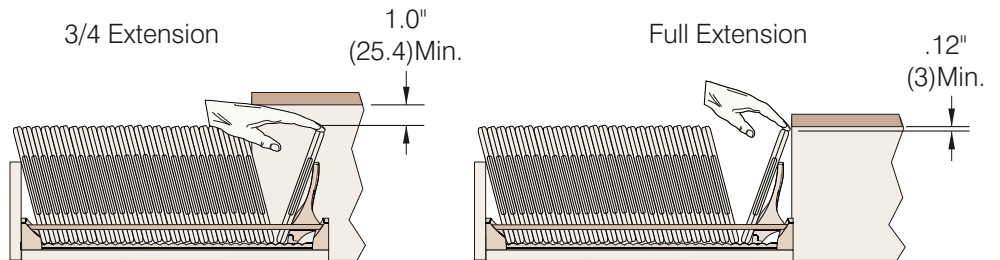
FRONT GLUE BLOCK



Width and Height



Clearance



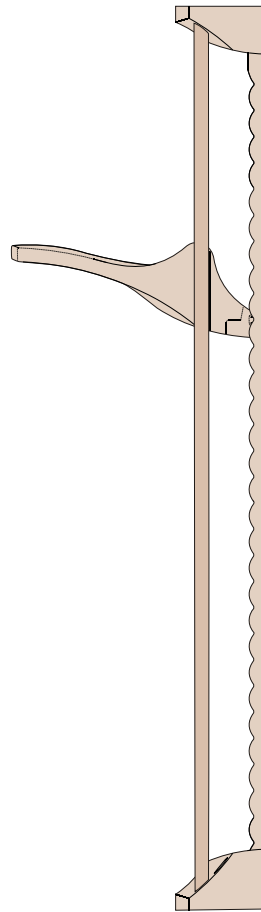
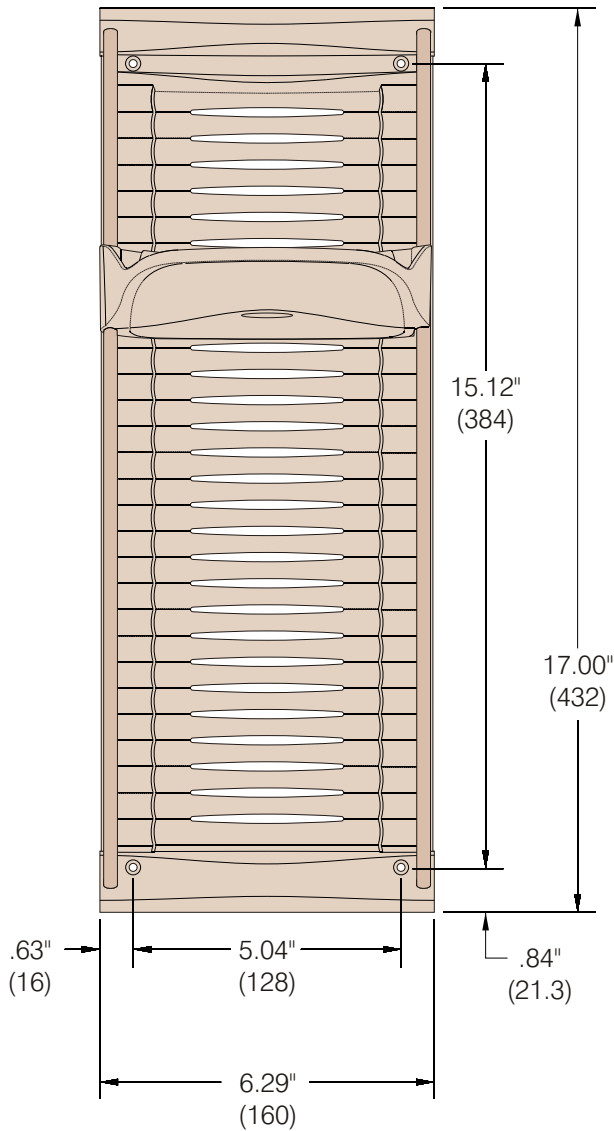
US PATENT #6,332,546
CANADIAN PATENT #2,331,971

733

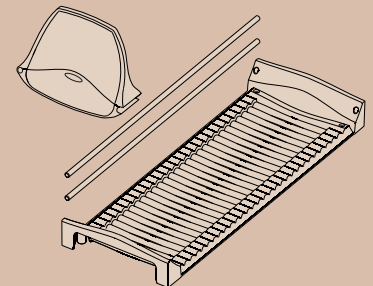
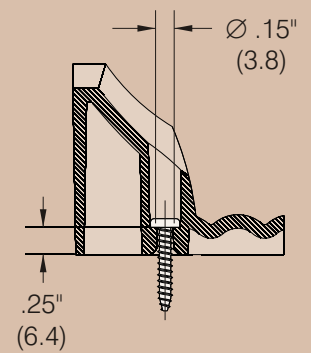


Top View

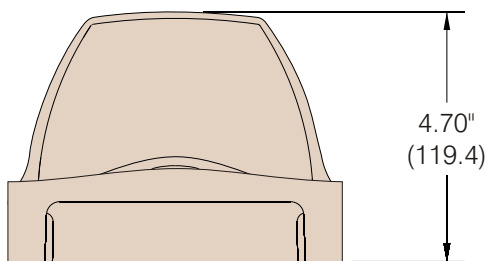
Side View



Screw Boss



Parts shipped unassembled
in one carton



Front View

- Material:
 - High impact plastic
 - Steel Rod
- Tolerance:
 - .XX \pm .025" (.6mm)
 - .XXX \pm .010" (.25mm)

US PATENT #6,332,546
CANADIAN PATENT #2,331,971